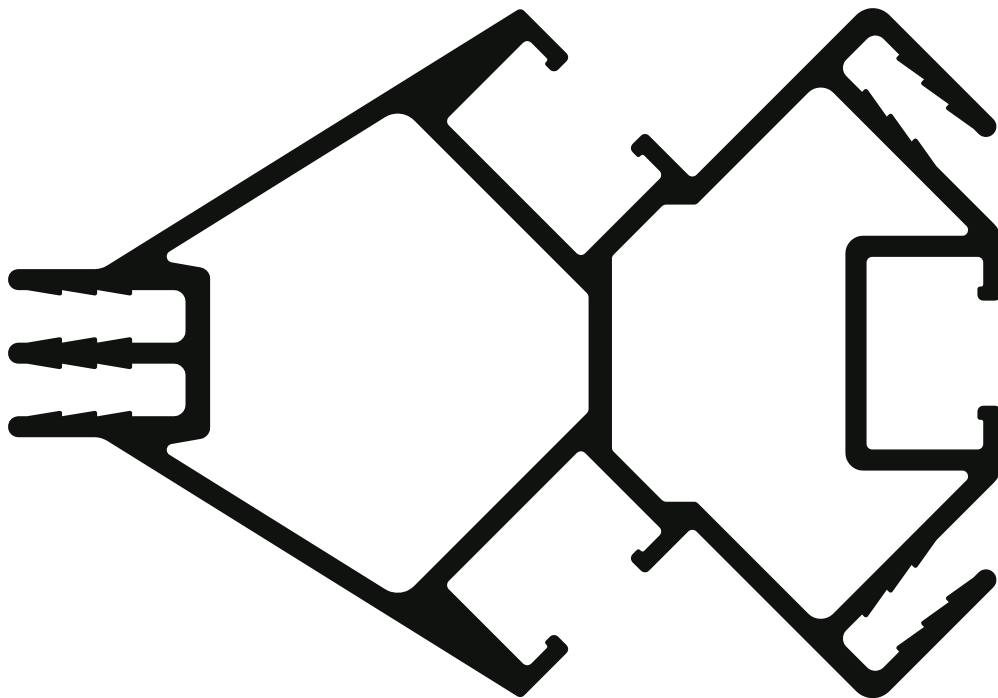




**COMHAN**HOLLAND

ALUMINIUM | R.V.S. | MAATMETAAL



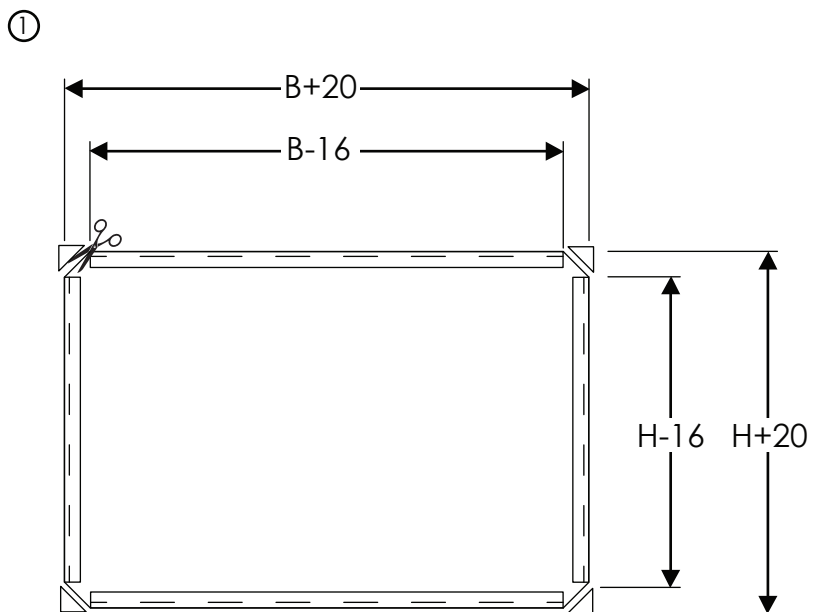
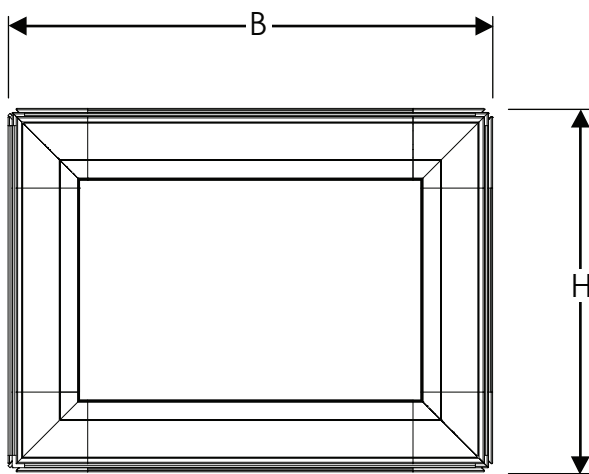
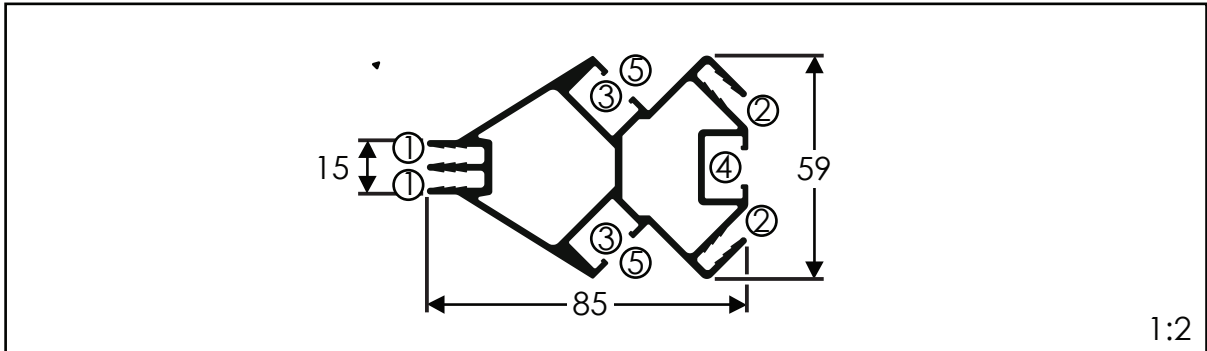
# Speetex XXL Cube®

Afmetingen / Dimensions / Abmessungen

[www.comhan.com](http://www.comhan.com)

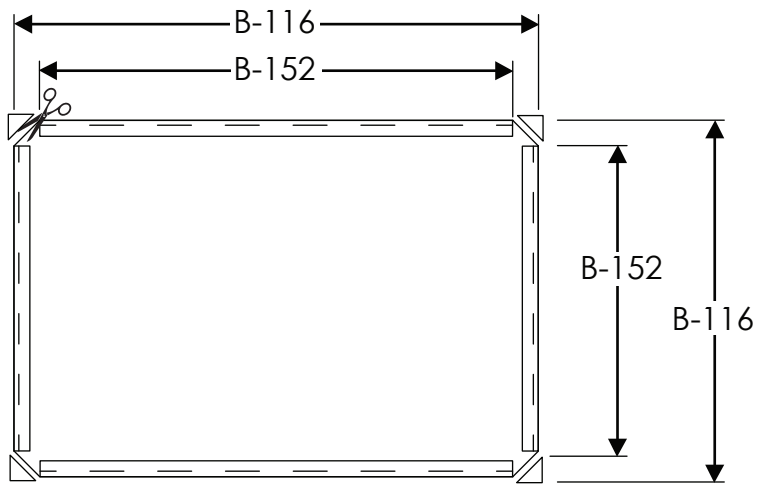
COMHAN HOLLAND 180326

# SpeeTex cube XXL®

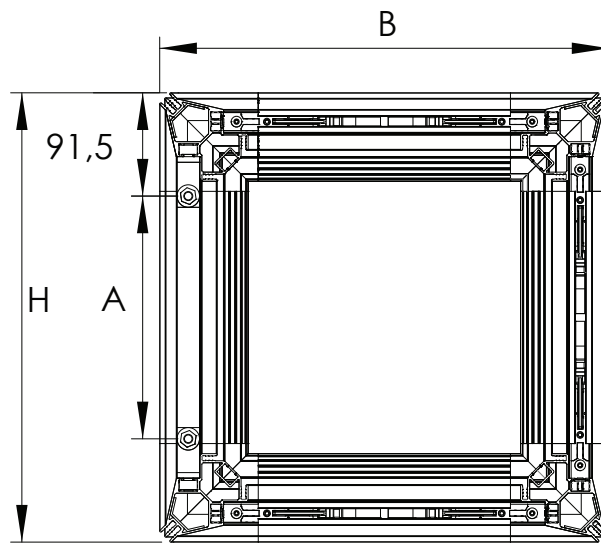


# SpeeTex cube XXL®

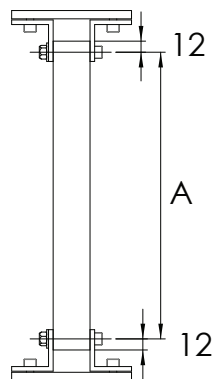
②



③

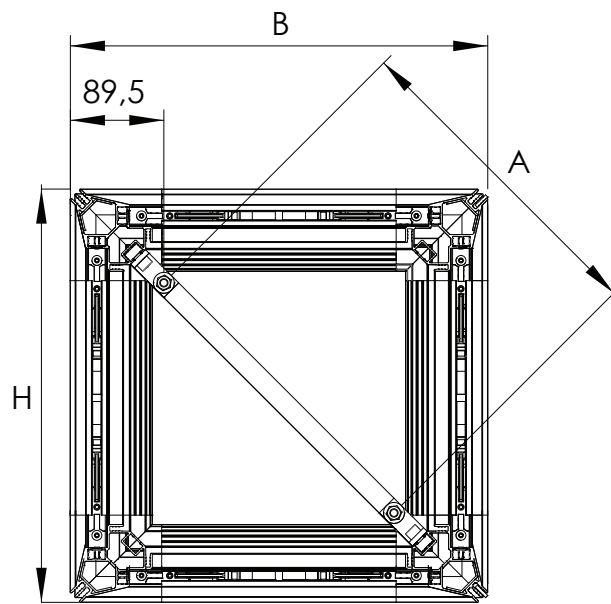


$$A = H - 183$$

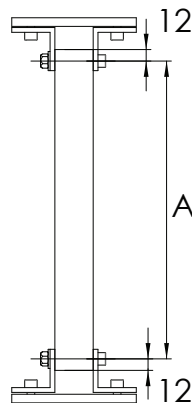


# SpeeTex cube XXL®

④



$$A = \sqrt{(H-179)^2 + (B-179)^2}$$



⑤

